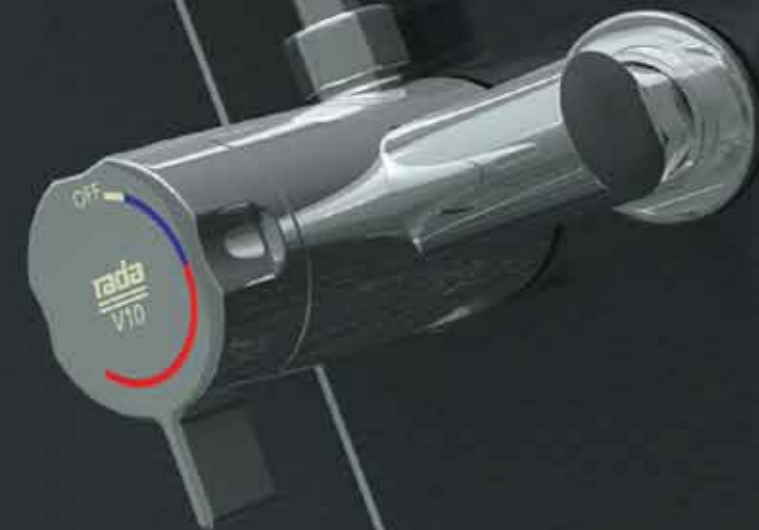


THE RADA V10 STYLE WITHOUT COMPROMISE

The new V10 is our latest evolution in commercial sequential shower controls.

It shares the same heritage as the proven Meynell V6 with robust build quality, proven over years of continuous use in schools, university halls of residence, leisure centres and hotels.

Small in scale V10 minimises environmental impact but delivers maximum performance and reliability with contemporary styling.



LEISURE

Germany
Rada Armaturen GmbH
Daimlerstraße 6
63303 Dreieich
Germany

T +49 6103 98040
F +49 6103 980490
www.rada-armaturen.de

Netherlands
Rada Sanitairtechniek B.V.
Mercuriusweg 4c
3771 NC Barneveld
Netherlands

T +31 3424 14088
F +31 3424 18180
www.rada-nl.com

www.radacontrols.com



Mira, Rada, Kohler and Meynell are registered trade marks of Kohler Mira Limited. The company reserves the right to alter product specification without notice. © July 2010 Kohler Mira Ltd. All rights reserved. No parts of this document, or any accompanying document, may be reproduced or transmitted in any form or by any means, including photocopying or electronically, without the permission of Kohler Mira Limited.

P6256

THE BOLD LOOK
OF
KOHLER

mira
SHOWERS

rada

DARYL
A KOHLER COMPANY

rada

Kohler Mira Limited
Cromwell Road
Cheltenham
Gloucestershire
GL52 5EP

T 0844 571 1777
F 0844 472 3076

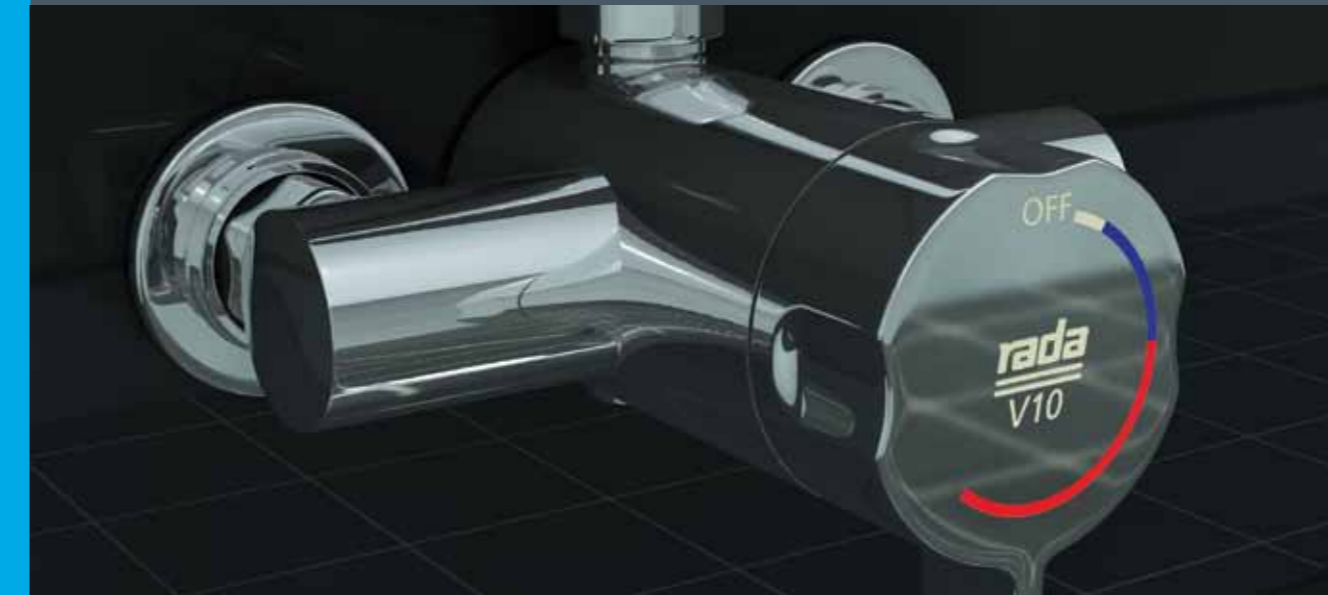
E rada_technical@mirashowers.com
www.radacontrols.com

A KOHLER COMPANY

Uniclass	EPIC
L72511:04	H3
C17518	
4 (53.9)-(74.29) X	
E1-07/09	

LEISURE

RADA V10 SHOWER



STYLE WITHOUT COMPROMISE



THE EXPERTS IN SHOWER AND WASHROOM CONTROLS

rada

EFFICIENCY AND DURABILITY IN THE COMMERCIAL ENVIRONMENT



As a growing urban population adds to demand and the effects of climate change impact on supply, more efficient use of water is becoming a priority in every commercial environment.

Nowhere more so than in residential buildings and leisure developments, where high and consistent user demand puts added pressure on water resources. In these applications, BREEAM standards specify - among other measures - shower fixtures with a nine litre/min flow rate or lower.

Furthermore commercial shower valves put up with some of the heaviest use of any washroom fixture, for example, an estimated 17 hours or more every day in a busy city leisure centre. In those kind of conditions, inferior quality materials and poor design don't last long.

It's with those requirements in mind that Rada have launched the new V10.



Student Accommodation

Robust design and construction to stand up to prolonged use and occasional misuse



Leisure and Fitness

Install V10 where style and aesthetics are just as important as performance



Hotels and B&Bs

Commercial performance combined with consumer product styling

TRUST RADA PRECISION TECHNOLOGY AND SUPPORT



For the toughest applications

Rada V10 is engineered to perform flawlessly under the heaviest use. And, if necessary, abuse. Its tough cartridge stops have been tested to destruction over a quarter of a million cycles and proven in use in numerous field trials. And just like every Rada product, the V10 is precision manufactured to uncompromising quality standards.

Our innovations in valve control systems and best practice policies in design, manufacturing and support mean we're trusted worldwide to deliver the solutions specifiers look for in every application and all types of public and commercial facilities.



Design

Rada develop contemporary ergonomic products and systems that deliver outstanding performance, durability and reliability, while meeting the most demanding environmental guidelines.

Innovation

Our commitment to continued research and innovation in every aspect of our operation, has allowed us to respond to customer needs with a catalogue of industry firsts and acclaimed new product developments in sustainable products, infection control and water and energy savings.

Product Research

Investment in research, development and training is central to the development of new Rada products and solutions to combat emerging and established risks such as HCAs and scalding. Every product is designed with purpose and tested to destruction so we can guarantee best in class no matter what.

Support

Distinguished by the very high calibre of its people, the Rada Technical and Support Service offers a complete range of sales and technical services at every stage from concept and design, through installation and commissioning to after sales. With a national team of Commercial Specification Managers on hand to offer guidance and advice.

V10 FEATURES AND BENEFITS AT A GLANCE



Top or bottom outlet
Connect to VR head, or shower hose kit

All-in-one thermostatic cartridge
Easier to service, cost effective, quick replacement. 100% tested for thermostatic performance before leaving the factory

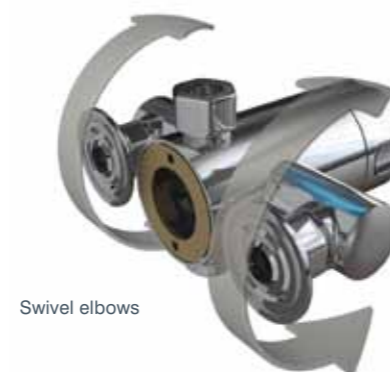
Robust cartridge stops
Withstand heavy, continuous use

Swivel elbows
Connectivity for rising, falling or rear fed pipework for maximum flexibility in installation and retrofitting

Save water and power
Optional 6 or 9 litre/min flow regulator for added water efficiency

Clear permanent graphics
Easy to understand, even for the short sighted

Ergonomic control
Light control and finger grips make V10 easy to use



Concealed valve - circular backplate



Exposed valve - bottom outlet



Exposed valve - top outlet

CONTEMPORARY DESIGN

Stylish, easy to use sequential control

Light control lever with finger grips for on/off control and temperature adjustment.

Clear, permanent graphics

Simple, straightforward and easy to see, even for those without their glasses in the shower.

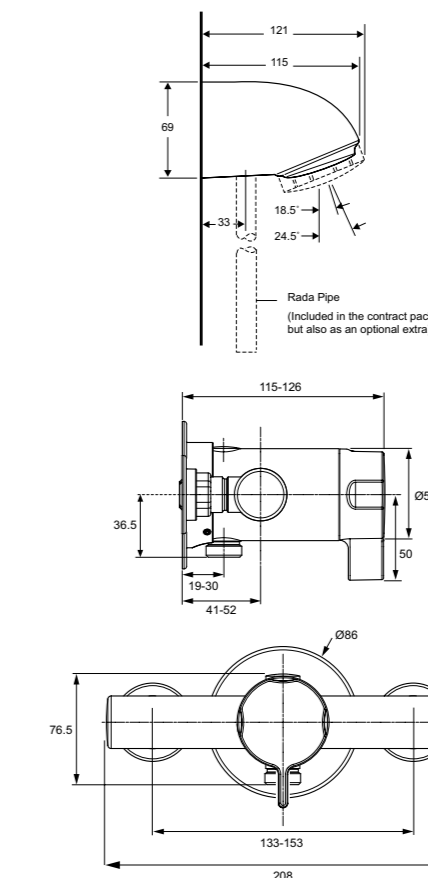
Exposed or concealed options

Install V10 as either an exposed one-piece unit or recessed, flush against a stylish, circular backplate.

Top or bottom outlet

V10's dual body offers the flexibility to fit either a rigid outlet riser pipe for improved vandal resistance, or a hose and shower head assembly.

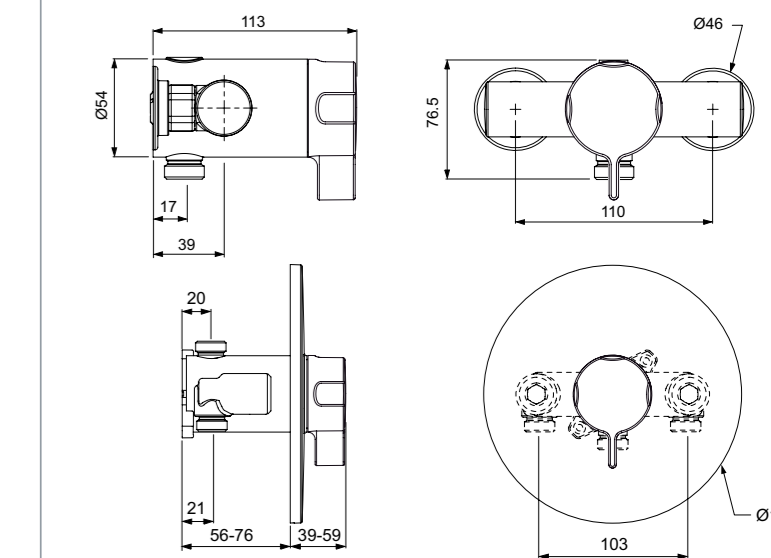
All-in-one Contract Pack Option



Rada V10 Contract Pack - For easy refurbishment of existing shower facilities, V10 is available in a handy contract pack, including the V10 valve, a robust shower head, riser pipe and extended elbows with adjustable centre fixing between 133-153mm.



DIMENSIONS AND INSTALLATION (mm)



PRODUCT INFORMATION

PRODUCT CODE	WEB LINK
RADA V10 EXPOSED SHOWER VALVE 1.1651.004	www.radacontrols.com/v10
RADA V10 CONCEALED SHOWER VALVE 1.1651.005	www.radacontrols.com/v10b
RADA V10 CONTRACT PACK 1.1651.008	www.radacontrols.com/v10cp

USAGE

Certified Type 2 thermostatic mixing valve for the domestic market that meets the requirements of BS EN 1111 and/or BS EN 1287 as well as additional requirement of the BuildCert TMV2 scheme.



Cut water consumption by half

With the option of a 6 litre/min flow regulator, the V10 can cut water consumption by as much as 50% when compared to a standard 12 litre/min shower. Not only does that dramatically reduce water and power bills, it also contributes to BREEAM accreditation for best practice in sustainable building and building management.

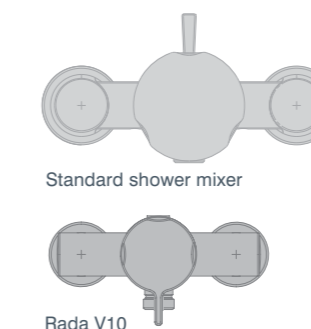


Whole life cost savings

For such a well designed and engineered product, the V10 costs less than you might think. Its outstanding reliability and performance all help in lowering maintenance costs and reducing water bills too. Adding up to substantial savings over the whole of its service life.

Sustainable manufacturing

Compact design to reduce environmental impact by using far fewer raw materials.



Standard shower mixer

Rada V10

Service and maintenance

The V10's innovative new design makes installation and maintenance quick, easy and hassle free. Its single piece thermostatic cartridge can be removed for servicing or replacement in minutes, with minimal disruption to showering facilities. The specially designed concealed shower valve, allows for easy access to filters, supporting routine maintenance.



All in one cartridge for cost effective, quick replacement